

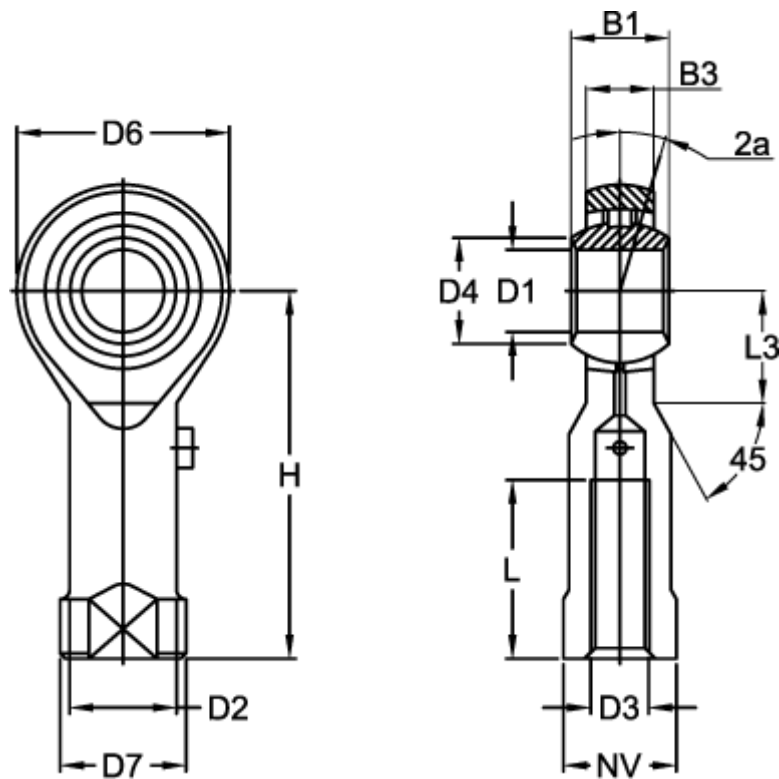
Data Sheet



Article number: 03702016

Description: Fluro rod end BRTF 16
with roller bearing

Measures



Angel 2a = 7.0

B1 = 21

B3 = 15.00

D1 = 16

D2 = 22.0

D3 = M16x2

D4 = 19.0

D6 = 42

D7 = 27

Dynamic load C (N) = 13300

H = 64

L = 28

L3 = 22

Max rpm = 975

NV = 22

Static load (N) = 8900

Weight (kg) = 0.220